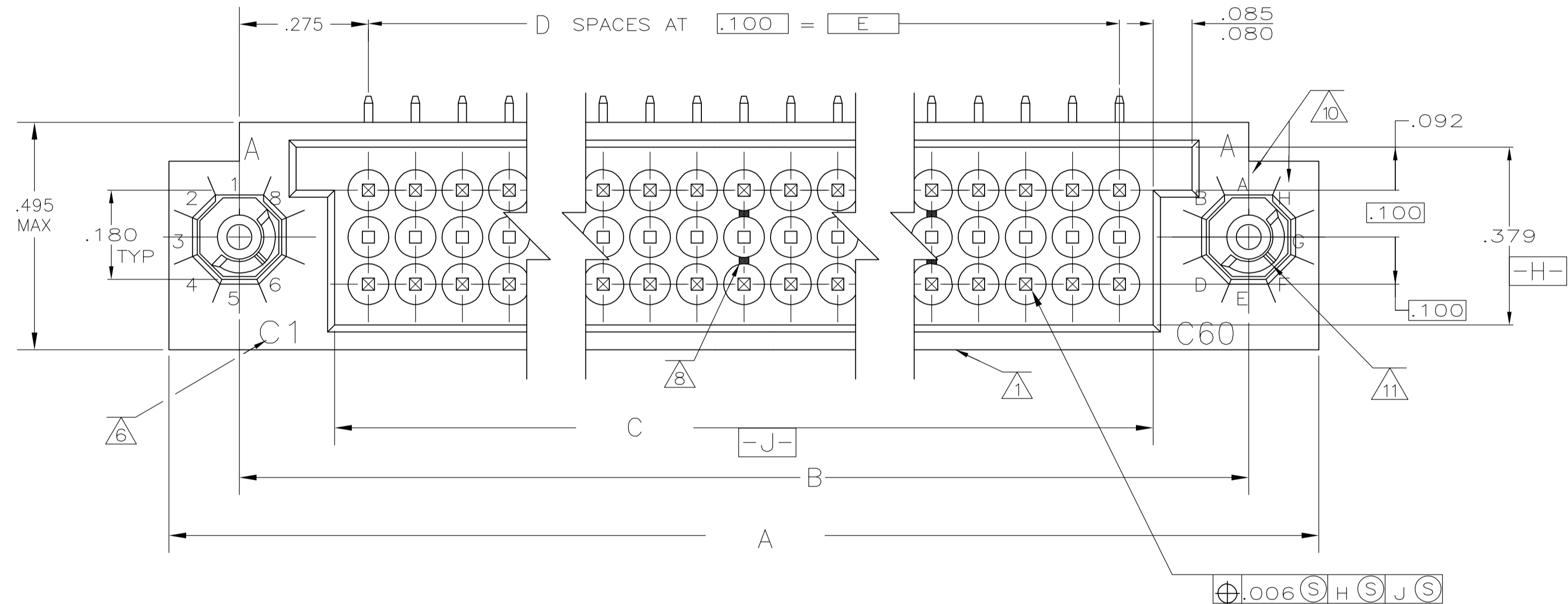
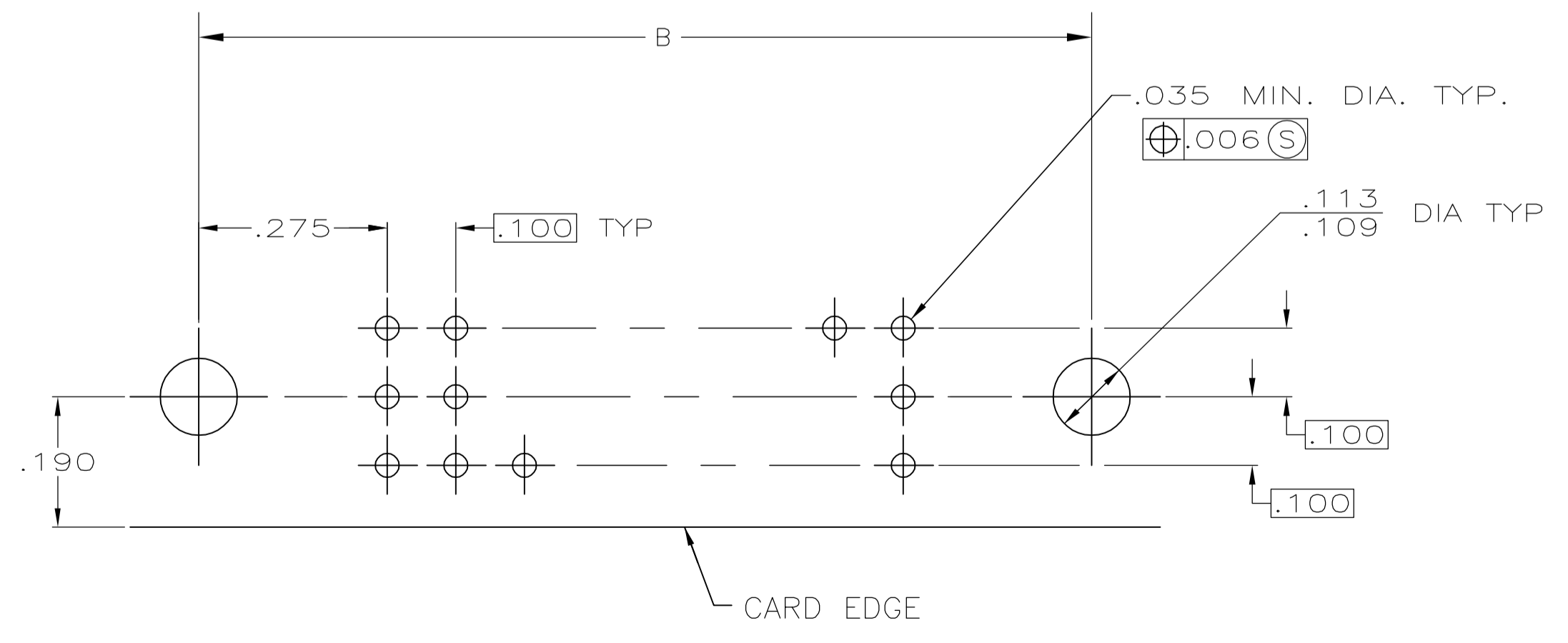


SECTION Z-Z



- ① CUSTOMER P/N, AMP, DATE CODE, AMP P/N, MARKED THIS SIDE.
- ② HOUSING MATERIAL: POLYPHENYLENE SULFIDE, GST-40F, PER MIL-M-24519.
- ③ CONTACT MATERIAL: BRASS
- ④ FINISH: .000030 GOLD OVER .000050 NICKEL IN CONTACT AREA.
- ⑤ FINISH: .000100 TIN LEAD OVER .000050 NICKEL.
- ⑥ LETTERS INDICATING OUTSIDE ROWS AND NUMBERS INDICATING END CAVITIES MARKED THIS SURFACE.
- ⑦ NUMBERS INDICATING EVERY FIVE CAVITIES MARKED ON BOTH SIDES.
- ⑧ LINES INDICATING EVERY FIVE CAVITIES MARKED ON MATING FACE.
- ⑨ KEY MUST BE CAPTIVATED BY RIVET. ROLLED EDGES OF RIVET MUST BE TIGHT TO KEY FOR AT LEAST 270° OF CONTACT SURFACES.
- ⑩ KEY POSITION IDENTIFICATION MOLDED ON SURFACE SHOWN.
- ⑪ CENTER SCORE MARK ON KEY TO POINT TOWARD NUMBER AND LETTER SPECIFIED BY KEYING CODE CHART PER ASSY DASH NUMBER.
- ⑫ FINISH: .000100 TIN OVER .000050 NICKEL.



PC BOARD LAYOUT

⑫	FULLY LOADED	E-1	-	5.900	59	6.044	6.450	6.750	180	5-532012-2	
⑫	FULLY LOADED	H-8	768485-76	5.900	59	6.044	6.450	6.750	180	1-532012-2	
⑤	OBSOLETE	60 IN ROW A & 60 IN C	H-8	768485-88	5.900	59	6.044	6.450	6.750	180	1-532012-1
⑤	OBSOLETE	60 IN ROW A & 60 IN C	F-6	768485-87	5.900	59	6.044	6.450	6.750	180	1-532012-0
⑤	OBSOLETE	60 IN ROW A & 60 IN C	D-3	768485-77	5.900	59	6.044	6.450	6.750	180	532012-9
⑤	OBSOLETE	60 IN ROW A & 60 IN C	G-7	768485-78	5.900	59	6.044	6.450	6.750	180	532012-8
⑤	OBSOLETE	60 IN ROW A & 60 IN C	A-5	768485-86	5.900	59	6.044	6.450	6.750	180	532012-7
⑤	OBSOLETE	FULLY LOADED	A-5	768485-73	5.900	59	6.044	6.450	6.750	180	532012-6
⑤	OBSOLETE	60 IN ROW A & 60 IN C	D-2	768485-81	5.900	59	6.044	6.450	6.750	180	532012-5
⑤	OBSOLETE	60 IN ROW A & 60 IN C	C-3	768485-80	5.900	59	6.044	6.450	6.750	180	532012-4
⑤	60 IN ROW A & 60 IN C	B-4	768485-79	5.900	59	6.044	6.450	6.750	180	532012-3	
⑤	FULLY LOADED	E-1	768485-75	5.900	59	6.044	6.450	6.750	180	532012-2	
⑤	FULLY LOADED	F-6	768485-74	5.900	59	6.044	6.450	6.750	180	532012-1	
⑤	CONTACTS LOADED	KEY CODE	CUST. P/N	E	D	C	B	A	NO. OF POSN.	PART NO	

THIS DRAWING IS A CONTROLLED DOCUMENT.

DIMENSIONS: INCHES	TOLERANCES UNLESS OTHERWISE SPECIFIED:	DIN W.D. KISELA 4-23-93		Tyco Electronics Corporation Harrisburg, Pa 17105-3608
0 PLC ± -	1 PLC ± -	CHK D. MILLER 5-10-93		NAME
2 PLC ± -	3 PLC ± -	APVD D. MILLER 5-10-93	PRODUCT SPEC	PIN HEADER ASSY, RIGHT ANGLE 3 ROW, .100, WITH MOUNTING EARS
4 PLC ± -	ANGLES ± -	APPLICATION SPEC	SIZE	A1
MATERIAL	FINISH	WEIGHT	CAGE CODE	00779
② ③	④ ⑤ ⑫	CUSTOMER DRAWING	DRAWING NO	532012
			RESTRICTED TO	
			SCALE	5:1
			SHEET	1 OF 1
			REV	H